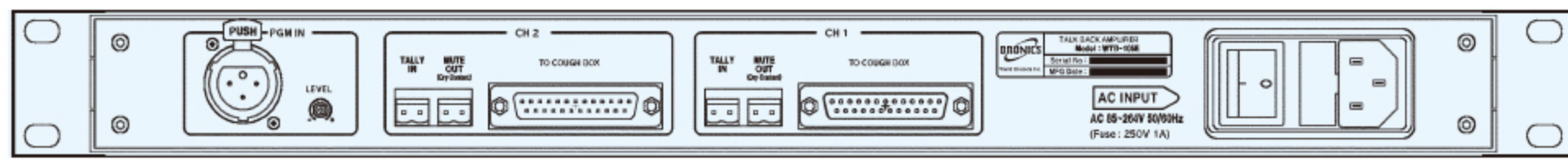


## WTB-105 Series



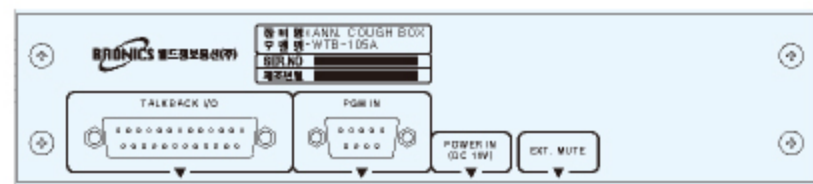
WTB-105E Talk Back Amplifier



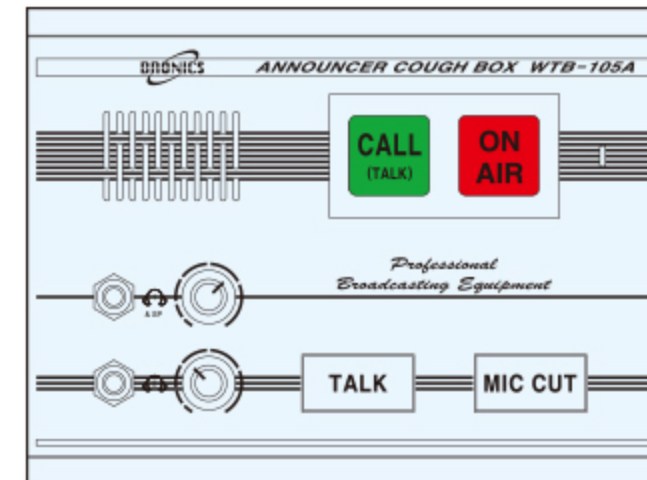
WTB-105E Rear View



WTB-105A Announcer Cough Box



WTB-105A Rear View



WTB-105A Top View



WTB-105M MIC Mute Box

### Talk Back Amplifier

본 장비는 Program 제작 시 Studio 내부와 조정실 사이에 Announcer cough box (WTB-105A)와 접속되어 통화를 하기 위한 장비로서 Audio mixer와 접속되어 ONAIR tally 및 MIC Mute 기능을 실행한다.

### Announcer Cough Box

Talk Back Amplifier (WTB-105E)와 연결하거나 단독으로 사용할 수 있는 Studio용 Cough Box로서 내장된 Speaker와 고감도 MIC를 이용하여 조정실과의 통화기능을 수행하며, ON AIR 표시램프, CALL 표시램프, TALK Switch, MIC MUTE Switch 등이 수용되어 있다. 또한 2CH의 Headphone Amplifier 기능을 위한 각각의 VRI가 수용되어 있다. 또한 본 장비와 MIC Mute Box(WTB-105M)를 연결하여 2개의 Announce MIC를 직접제어하여 Mute기능을 수행할 수 있다.

## Features

### Announcer Cough Box

- Talk switch & microphone
- Talk back speaker & volume
- 2 Headphone output
- ONAIR indicator (Red)
- Call indicator (Green)
- MIC cut switch
- Desk top type

### Talk Back Amplifier

- Announcer talk switch & microphone
- Talk back speaker & volume
- Announcer call switch
- PGM Input connector
- ONAIR tally input
- MIC cut output
- 19"1 Rack unit type

### Ordering Information

- WTB-105E Talk back amplifier with microphone
- WTB-105A Announcer cough box
- WTB-105M AC/DC adapter (WTB-105A 단독 사용시) 2Channel MUTE Box(option)

## Technical Specification

### Talk Back Amplifier (WTB-105E)

Send / receive level	0dBu
Send / receive impedance	600 ohms
Frequency response	±1dB(50Hz ~ 15KHz)
Speaker output	0.5 ~ 1W
Program input level	+4dBu
Channel	2CH
Operation temperature	0°C ~ 40°C
Power	110V/220, 60Hz, 20W MAX
Dimensions	483(W) × 44(H) × 270(D)mm

### Announcer Cough Box (WTB-105A)

#### Receive Input

Impedance	600ohm balanced / unbalanced
Level	+4dBm(balance), Normal 0dBm(unbalance), Normal (Internal Jumper Select)

#### Send Output

Impedance	Low Impedance.
Level	+4dBm(balance), Normal 0dBm(unbalance), Normal (Internal Jumper Select)

#### Program Input

Impedance	600ohm balanced
Level	+4dBm Normal
channel	Mono 2Ch

### Speaker Output

Impedance	8ohm
Output Power	0.5W

### Headphone Output

Impedance	47ohm
Channel	2CH

### Control Input

Channel	ON AIR Tally, CALL Sign, T/B Sign
Interface	Photocoupler
Drive Type	Dry Contact or Open Collector

### Tally Output

MIC Mute Interface	Photocoupler Isolated
Drive Capacity	DC 60V/ 100mA 이하

### Ext. Mute Output

Voltage	DC 12V
Current	100mA

### MIC MUTE BOX (WTB-105M) [Option]

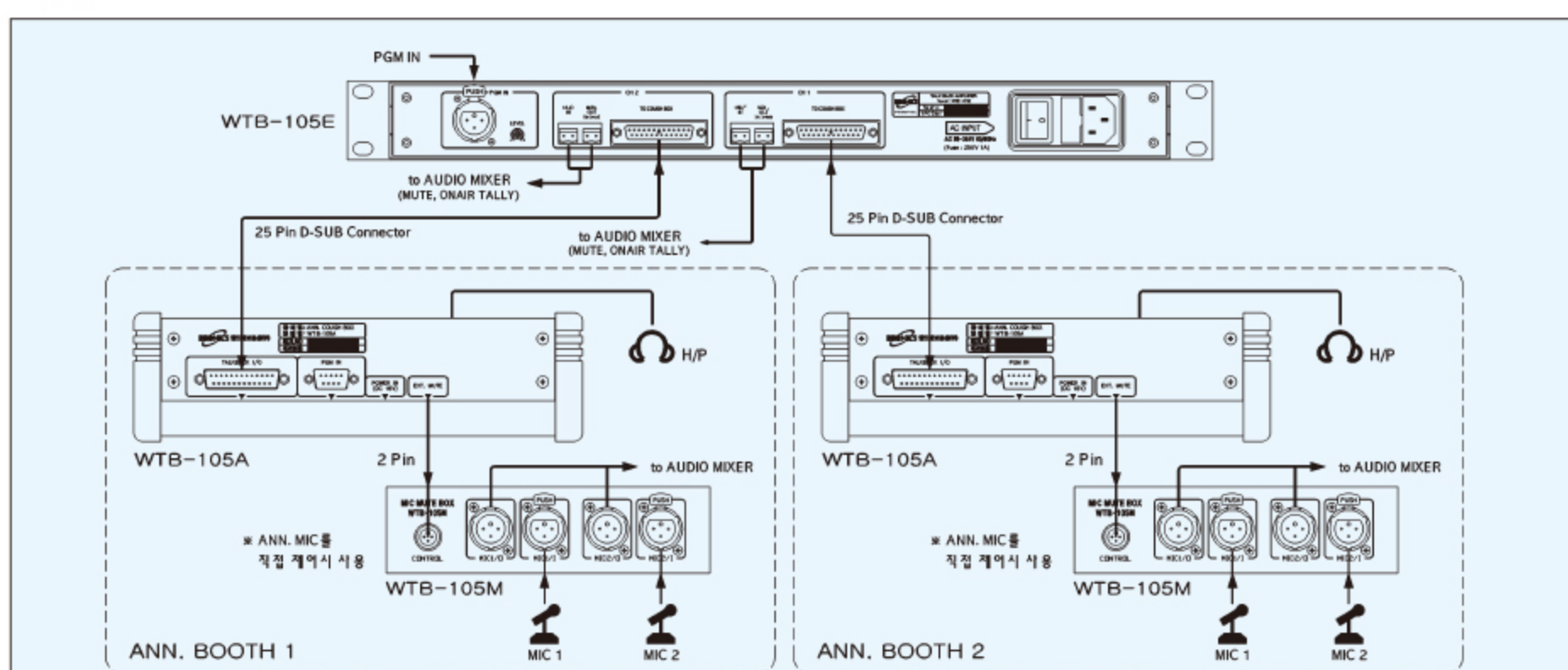
MIC Type	Condenser MIC (Phantom Powered)
Channel	2CH
Control Input	DC 12V 2mA/ 15mA

### General

Power	DC 16V 0.5A Operating
Temperature	0°C~40°C
Dimensions	WTB-105A 220(W) × 170(H) × 46(D) mm WTB-105M 85(W) × 50(H) × 60(D) mm

Note : Specifications are subject to change without notice

### Application 1 (WTB-105E/WTB-105E SET로 사용할 경우)



### Application 2 (WTB-105A단독으로 사용할 경우)

