



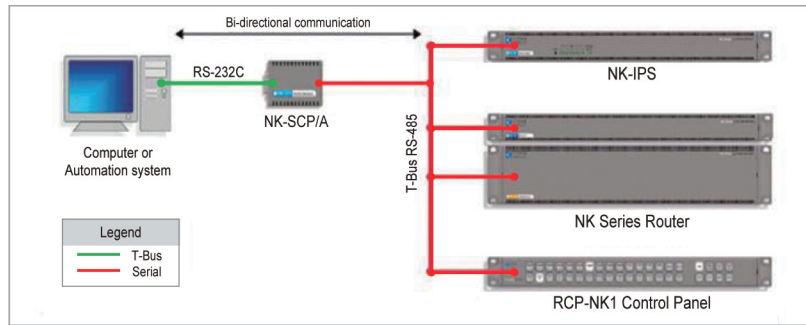
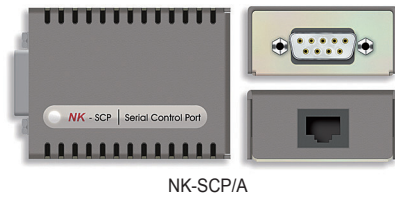
## NK-SCP/A(ASCII/RS-232 Control interface)



### Features

- ▣ Allows NK Routers to be controlled from an Automation system or other device (via the ASCII protocol)
- ▣ Easy to install and operate
- ▣ Phantom powered via the T-Bus
- ▣ Standalone Box

• NK-SCP/A는 NK시리즈 Router를 PC에 의하여 자동화 시스템에서 동작되도록 할 때에 사용한다.



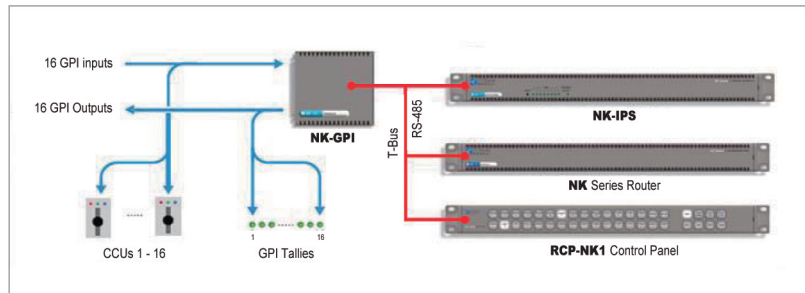
## NK-GPI(General Purpose Interface)



### Features

- ▣ 16 GPI inputs and outputs
- ▣ Return/Latch mode
- ▣ Easy to install and operate
- ▣ No DIP switch for configuration
- ▣ Phantom powered via the T-Bus
- ▣ Standalone Box

• NK-GPI는 16개의 input/Output GPI를 이용하여 어떠한 장비를 원격동작 시키거나 Tally신호를 응용할 때에 사용한다.



## NK-RP1(Redundant Power Supply)



### Technical Specifications

PERFORMANCE	
Input	100 to 240 V @ 1.5 A(47 to 63 Hz)
Positive Output	+15 V @ 6.67 A (100W)
Negative Output	-15 V @ 3.33 A (optional)
Maximum Total Output	100W
Relative +/- Output	see table below
GENERAL	
On-Board Cooling	2x 4.0cm fans
Dimensions	1RU x 19.0cm deep

Specifications subject to change without prior notice.

### Relative + / - Power Output

	POWER DISTRIBUTION (watts)						
	100	90	80	70	60	50	40
Positive Power							
Negative Power	0	8.4	16.8	25.2	33.6	42	50

### Ordering Information

- NK-RP1/P NK Series Dual Redundant Power Supply, +15 Volt (100W)
- NK-RP1/PN NK Series Dual Redundant Power Supply, +/-15 Volt (100W)
- NK-RP1-NEG -15 Volt regulator module for NK-RP1/P (50W max)
- NK-D12/PN PSU cable for NK-RP1/PN, 1.2m, 9-pin D connector, +/-15 Volt
- NK-S12/P PSU cable for NK-RP1/PN, 1.2m, Speakon connector, +15 Volt

### NK-RP1 System Diagram

