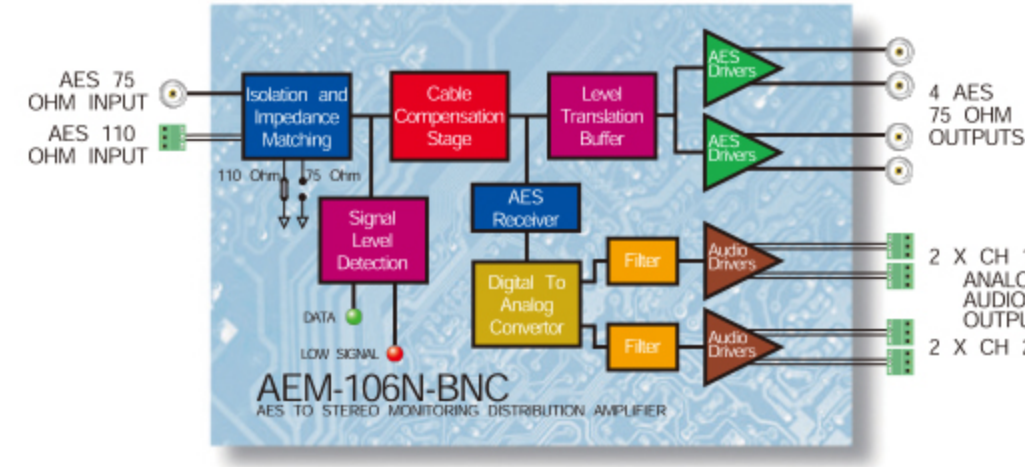
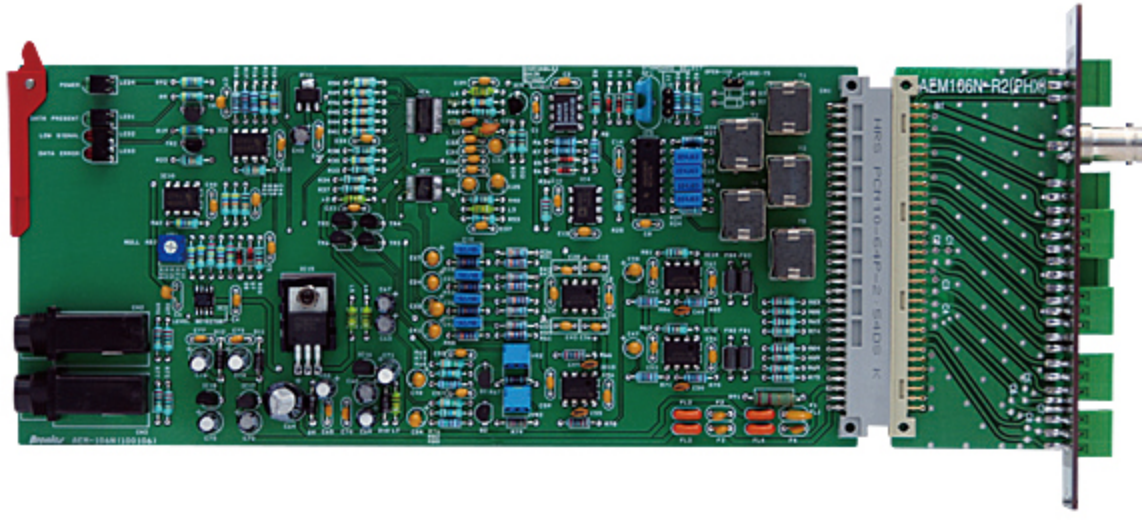


AEM-106N(AES Monitoring Distribution Amplifier)



AEM-106N Functional Block Diagram

AES 디지털 오디오 신호의 분배와 모니터링이 가능한 고품질의 방송용 모듈로서 Rear panel은 AEM-106N-PHX(balanced 110ohms)와 AEM-106N-BNC(Unbalanced 75 ohms) 중 선택이 가능하다. 입력은 최고 200m Balanced 110 ohms 케이블과 900m의 고품질 동축 케이블의 자동 Equalization이 되며, AES 입력과 출력 절연 전압은 안정성을 고려해 500V DC로 설계되었다. 4개의 AES 디지털 출력과 3개(후면 2개, 전면 1개)의 Stereo balanced analog 출력이 있으며, 출력레벨은 0dBu이고 이 레벨로부터 가변의 범위는 $\pm 6\text{dB}$ 이다.

Features

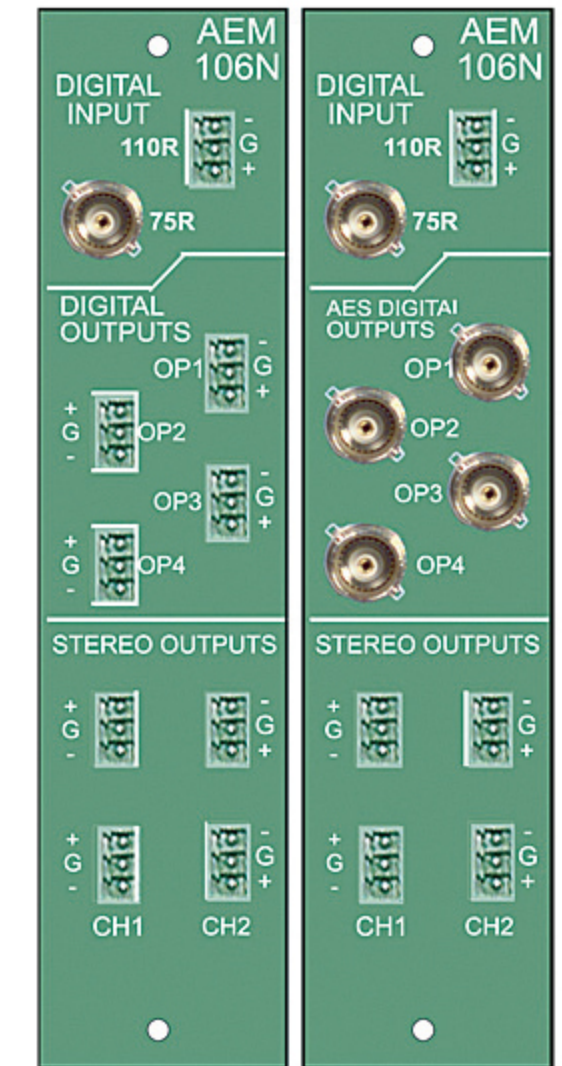
- Automatic input cable compensation
- 4 x 110 ohm outputs
- 3 stereo 18 bit monitoring outputs (1 to front)
- Data present LED indication
- Low signal LED warning
- Selectable 75 or 110 ohm input

Ordering Information

- AEM-106N-PHX Euromodule with Phoenix/BNC rear connector assembly and mounting hardware.
- AEM-106N-BNC Euromodule with BNC rear connector assembly and mounting hardware
- WMF-310S 3RU module frame with single power supply
- WMF-310D 3RU module frame with dual power supply
- WMF-102S 1RU module frame with single power supply

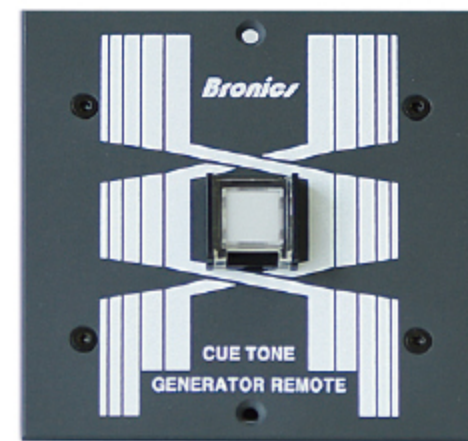
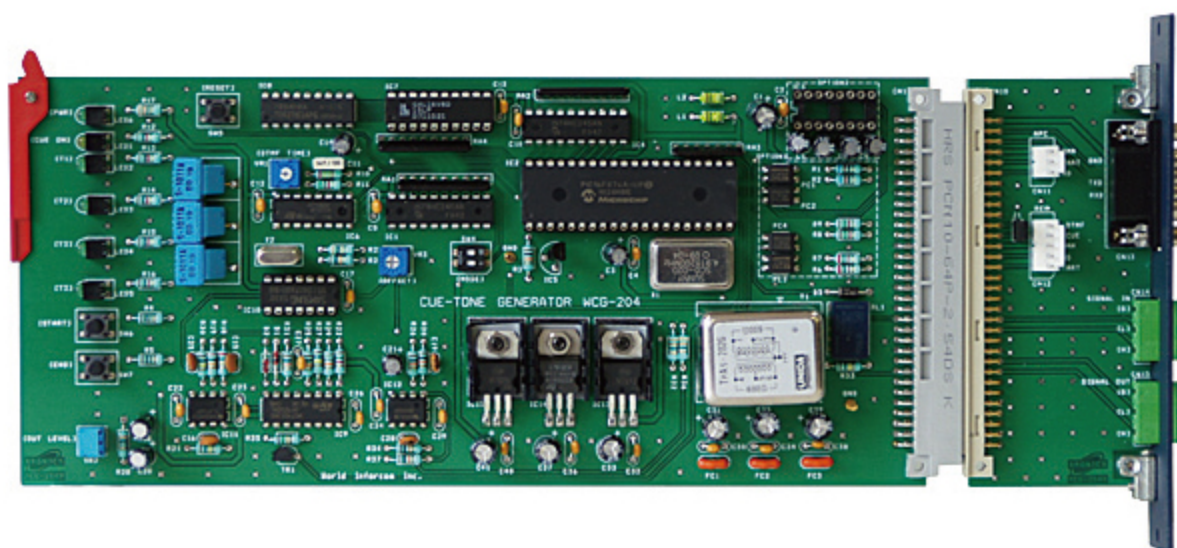
Technical Specification

Digital Formats	Digital audio	110 ohms and 75 ohms AES/EBU formats supported
Digital Audio Input	Number	2
	Impedance	Unbalanced 75 ohm and balanced 110 ohm both terminating. BNC for 75 ohm. 3 Pin Phoenix type for 110 ohm.
	Connectors	
Digital Audio Output	Number	4
	Impedance	Balanced 110 ohm
	Connectors	3 pin Phoenix type
	Level	3.5Vp-p for 110 ohm
	Rise and fall time	< 20ns
Analog Audio Input	Number	3 stereo. 2 to rear panel and 1 monitoring to front panel.
	Impedance	45 ohms
	Frequency response	$\pm 0.3\text{dB}$, 10Hz to 20kHz
	Signal to noise >	-78dB (A Weighted with idle channel, digital input all zeros)
	Interchannel crosstalk	> 70dB at 1kHz, WRT -20dBv
	Distortion	< 0.03% total harmonic distortion
Electrical	Power supply input	+8V, +15V and -15V DC unregulated.
Mechanical	Euromodule size	220mm x 100mm
	Width	6HP



Rear panel

WCG-204 Cue Tone Generator



Cue Tone Generator Remote

본 장치는 CATV 또는 위성방송 광고 삽입용 큐 톤을 제공하기 위한 장치이다.

Features

- DTMF 방식의 Tone 발생장치
- 3자리 Tone 출력
- Remote 제어
- Power, Cue on, T1, T2, T3, T4 LED Lamp 점등
- Out Level $\pm 15\text{dB}$ 조정 기능

Ordering Information

- WCG-204 Cue Tone Generator
- Cue Tone Generator Remote
- WMF-102S 1RU module frame with single power supply

Technical Specification

Tone Type	DTMF	Contact	Relay Contact
Tone Digit	3 Digit(0~9) + 1 Digit (Start : * or End : 3)	-Signal in	SIG/H, SIG/L, GND
Output Impedance	600ohms	-Signal out	SIG/H, SIG/L, GND
Output Level	+4dB(-15dB ~+15dB Variable)	Power	AC 90~260V 60Hz
Remote Input	Photo-coupler	Dimensions	
Control Mode		-본체	220 mm x 100 mm
-Mode 0	Single Pulse (1 Switch)	-Remote	100(W) x 55(H) x 100(D) mm
-Mode 1	Single Level (1 Switch)		
-Mode 2	Independent Pulse (2 Switch)		